



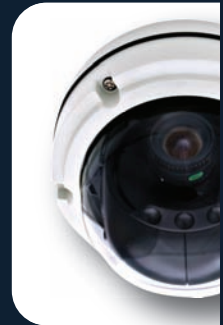
4 Inch Dome



The Arecont Vision 4 inch dome offers excellent protection for the wide variety of Arecont Vision mini megapixel cameras.

The combination of superior imaging and the 4 inch dome provide a perfect solution to environments in which cameras need to be less noticeable or require additional protection from the elements

- Indoor or Outdoor Applications
- Surface Mounting
- Simple Installation
- Easy Access to Camera
- "Triple Gimbal" Mount for Precise Camera Adjustment
- Designed to House the Entire Line of 1, 2, 3, 5 and Day/Night Megapixel Cameras



VANDAL RESISTANT : Tough, high-impact polycarbonate construction with a heavy duty enclosure for harsh environments.

FULL VIEW IN ALL DIRECTIONS: Camera can be rotated a full 360° horizontally and 180° vertically, allowing full flexibility for either ceiling or wall mounting. Dome will ensure outstanding observation with excellent color sensitivity and high resolution for the Arecont Vision line of mini megapixel cameras.

EASY INSTALLATION: Easy installation, superior design for indoor or outdoor usage.



4 Inch Dome

detailmatters
www.arecontvision.com

Specifications

CAMERAS

AV1300M, AV2100M, AV3130 M, AV3100M, AV5100M:
 Lenses: 6mm, 8mm, 12mm, 16mm

MECHANICAL

Housing material: Aluminum

Dome Cover Protection:
 Vandal resistant polycarbonate

Dome Cover Diameter: 4.5 inch (114.3 mm)

Back Plate Diameter: 6.30 inch (160 mm)

Housing Height: 4.90 inch (125 mm)

Dome Cover Height: 2.80 inch (70 mm)

Housing Diameter: 6.30 inch (160 mm)

Weight w/o camera: 2.2lbs(1kg)

Security: Tamper proof screws

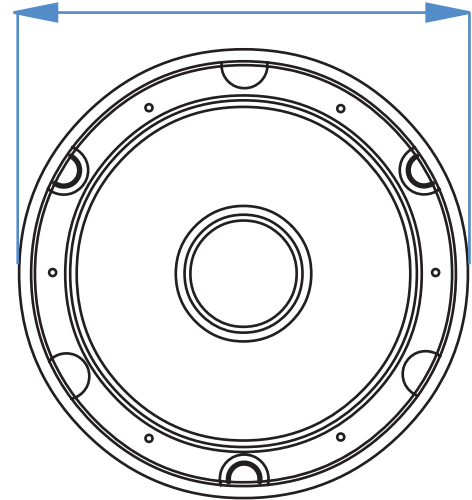
ENVIRONMENTAL

Operating Temperature:
 0°C to 50°C

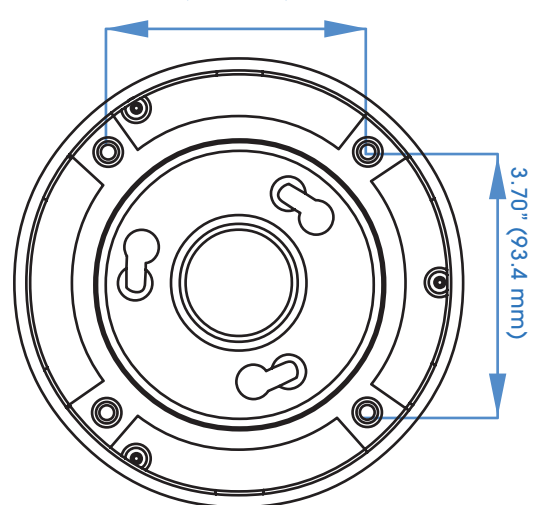
Humidity:
 0 to 95 % relative, non-condensing

Enclosure Protection:
 IP66 Rating

6.30" (160 mm)

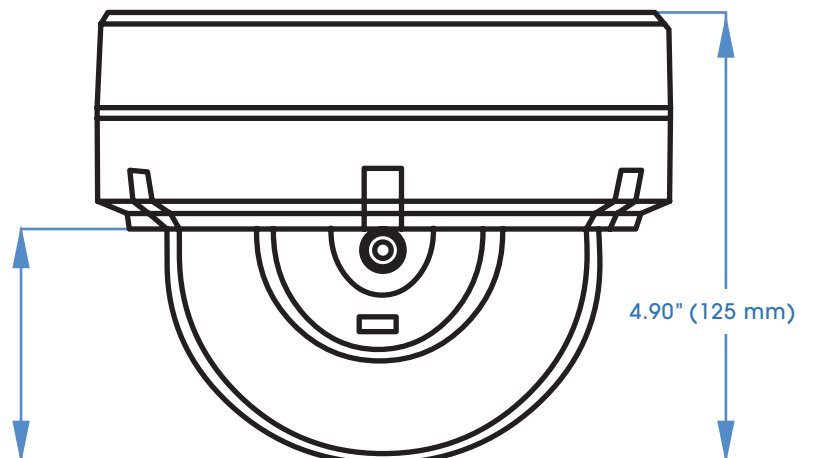


3.70" (93.4 mm)



3.70" (93.4 mm)

2.80" (70 mm)



4.90" (125 mm)